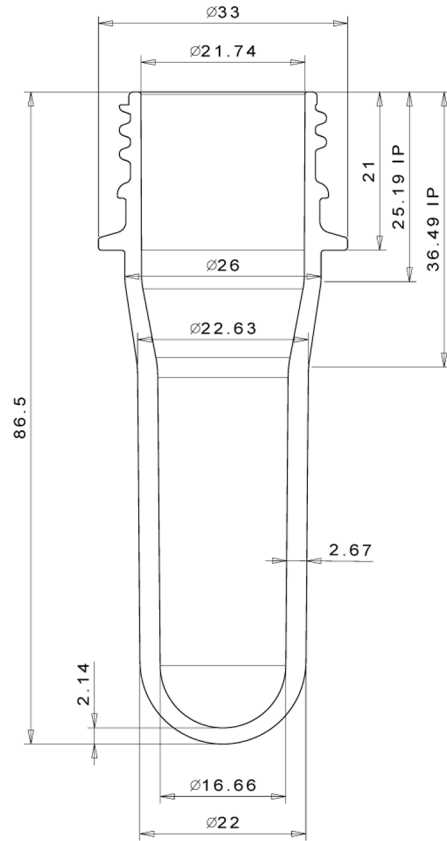


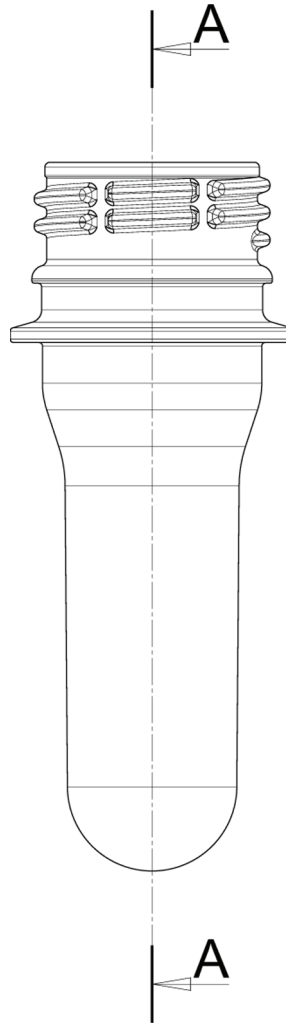


105359

28 PCO 1810, 19 gram; 19 gram, Light Blue
K.G. International - sales@kgint.com - +1 305 499-9816



A-A View/Görünüm



SCALE	1/1 (mm)
MATERIAL	PET
WEIGHT	19,00 ± 0,25 gr
QUALITY	ISO EN 9001